

## REMOVING THE MOTOR CONTROL UNIT

### ⚠ WARNING

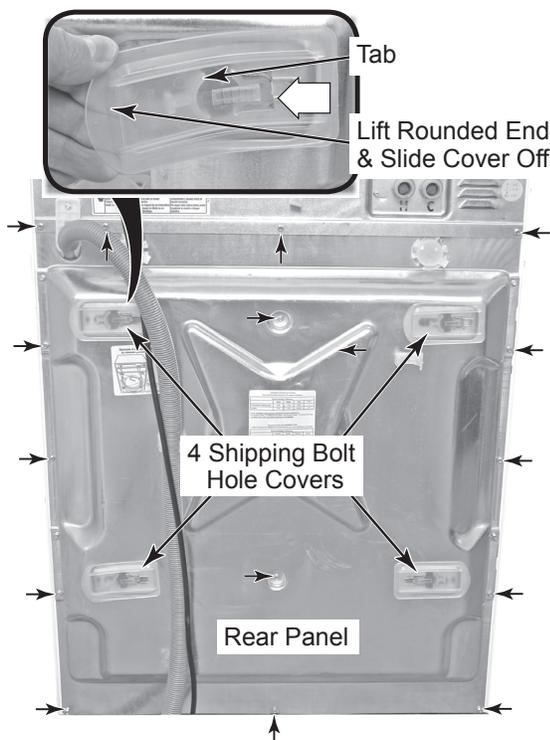


#### Electrical Shock Hazard

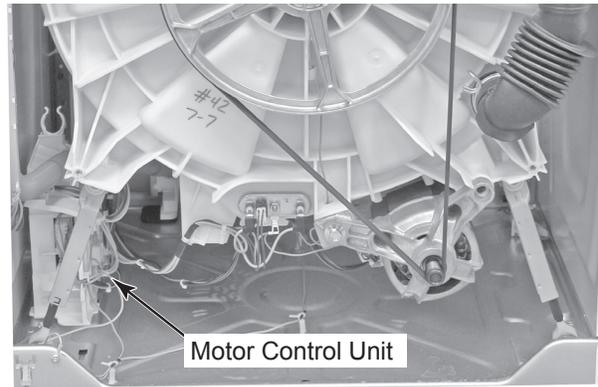
Disconnect power before servicing.  
Replace all parts and panels before operating.

Failure to do so can result in death or electrical shock.

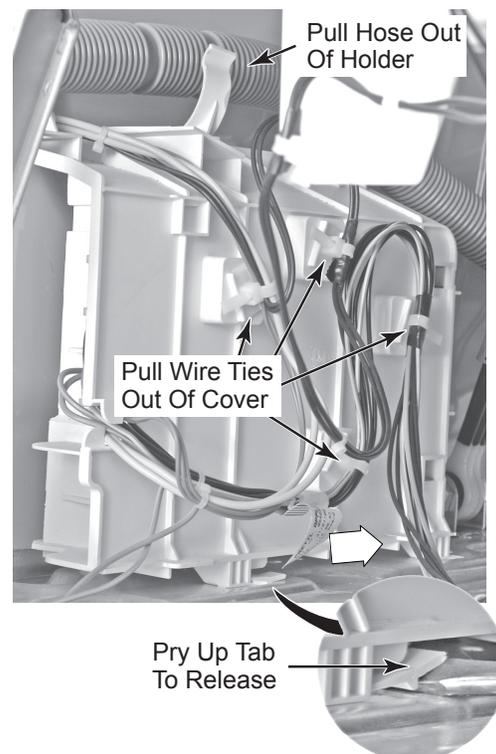
1. Unplug washer or disconnect power.
2. Turn off the water supply to the washer.
3. Pull the washer away from the wall.
4. Remove the four plastic shipping bolt hole covers. To remove a cover, lift the rounded end to unhook the locking tab from the slot in the chassis, and slide the cover off the rear panel.
5. Remove the hex-head screws (arrows) from the rear panel.



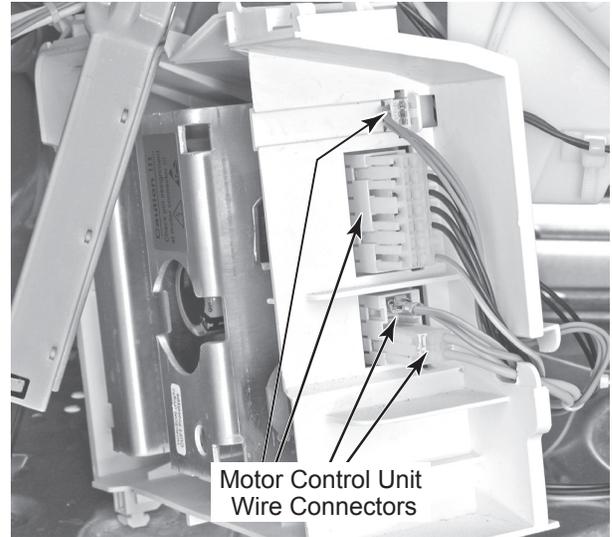
6. Pull the bottom of the rear panel out, and slide it down so the top edge is out from behind the lip of the upper panel, and remove the rear panel.



7. Pull the hose out of the holders on top of the motor control unit.
8. Remove the wire ties from the cover.
9. Use a flat-blade screwdriver, and pry the locking tab up on the bottom of the motor control unit to release it, then slide the unit forward to release the four tabs from the keyhole slots, and lift the motor control unit from the washer.



10. Disconnect the four wire connectors from the motor control unit and remove the unit.



11. For more help, click over to [Fixitnow.com](http://Fixitnow.com) Samurai Appliance Repair Man.
12. Always buy your replacement parts at [parts.fixitnow.com](http://parts.fixitnow.com).

**FixitNow.com**  
Samurai Appliance Repair Man